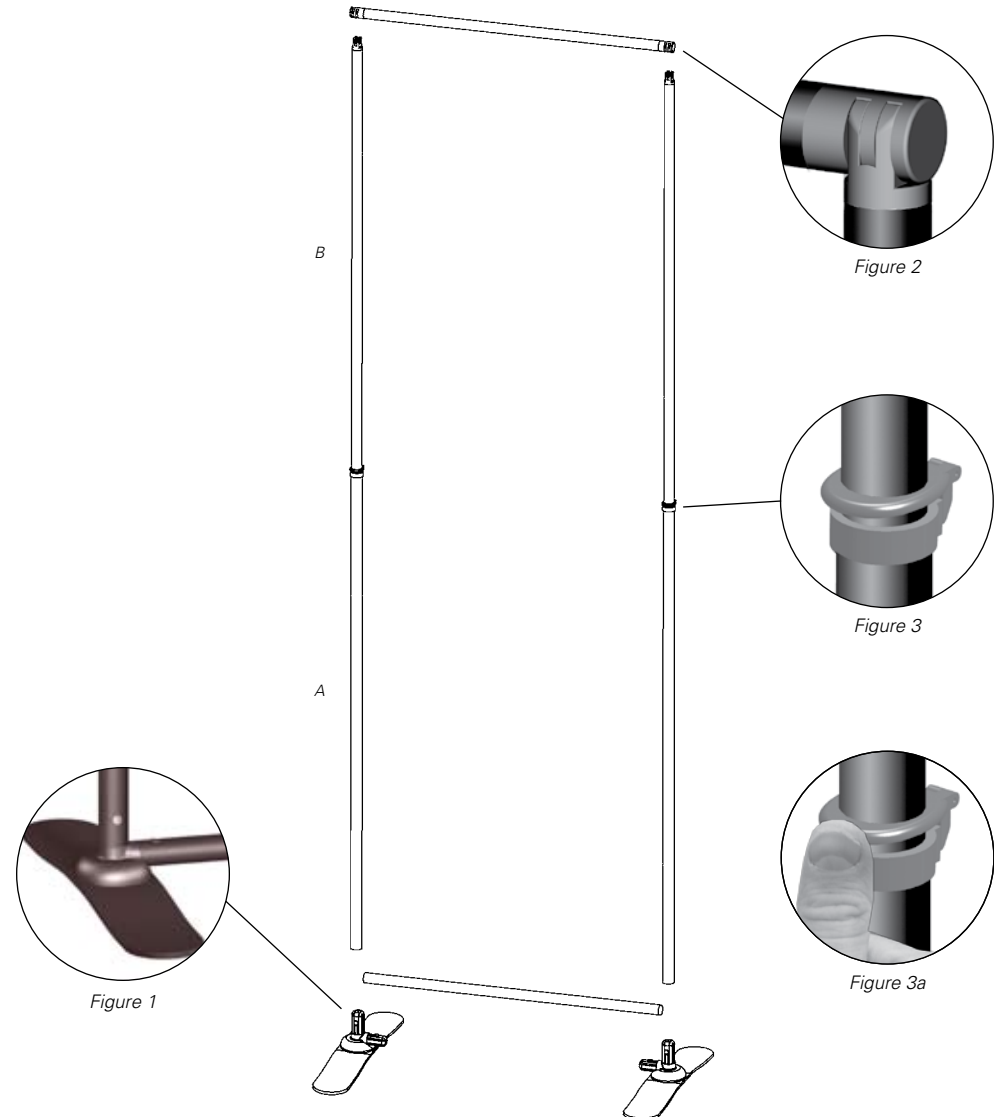


assembly instructions

1. Place feet in approximate locations.
2. Insert lower horizontal bar through bottom banner hem.
3. Snap lower horizontal bar onto each foot (see Figure 1).
4. Snap upright tubes (A and B together) onto each foot, making sure to position the downstop tabs facing towards the front of the stand. Align the tube until it has securely snapped in place. Note that this upright holds in any position by raising and releasing it to engage the downstop (see Figure 3). Disengage downstop by pressing upward on the downstop tab (See Figure 3a).
5. Insert groovegrip bar through the top banner hem; if banner or graphic has no top "hem," see separate instructions on back.
6. Place groovegrip onto the telescoping tubes (see Figure 2).
7. Raise telescoping tubes to desired height or until the panel is tight.
8. Check to see that connections are tight and secure. If stand is twisted or racked, straighten the stand and recheck ALL connections.

helpful hints

- Assemble all side tubes before attaching top bar.
- Do not telescope tube(s) until all parts are in place.
- Make sure all connections are tight when finished.
- If stand is twisted, reposition and retighten.



using gotcha and grabber bar

Two DisplayONE® accessories are the intermediate grabber bar (usually used for smaller graphics or banners) and the GOTCHA graphic bar (usually used for non-hemmed graphics or rigid panels). GOTCHA® is a product of Rose Displays. Consort Display Group manufactures the gotcha ring to attach the GOTCHA to 1" horizontal bars.

1. Connecting GOTCHA® to GOTCHA RING

Insert Gotcha ring into upper ridge on Gotcha bar. It should fit tightly by snapping into place (see Figure A). Repeat for as many clips as necessary.

2. Connecting Assembly to Tube

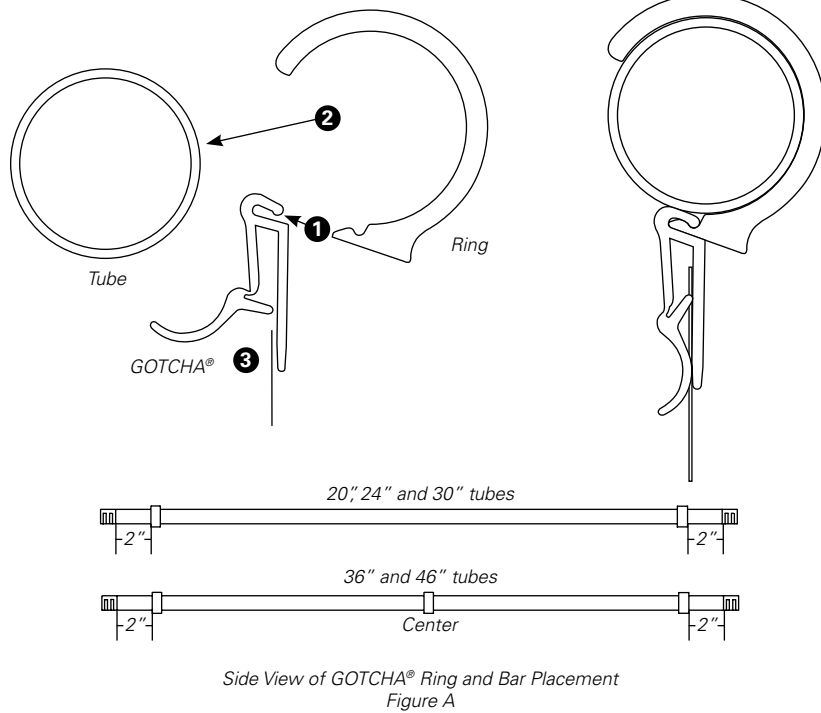
Align ends and snap the Gotcha w/rings onto the horizontal tubes.

3. Locking Graphic in Place

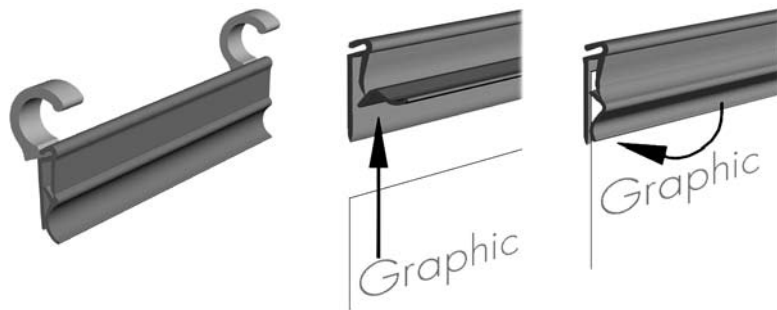
Lift the lower flap across the Gotcha until it flips open. Slip graphic into groove as far as possible, then lock flap back into place (see Figure B).

4. Using the Grabber Bar

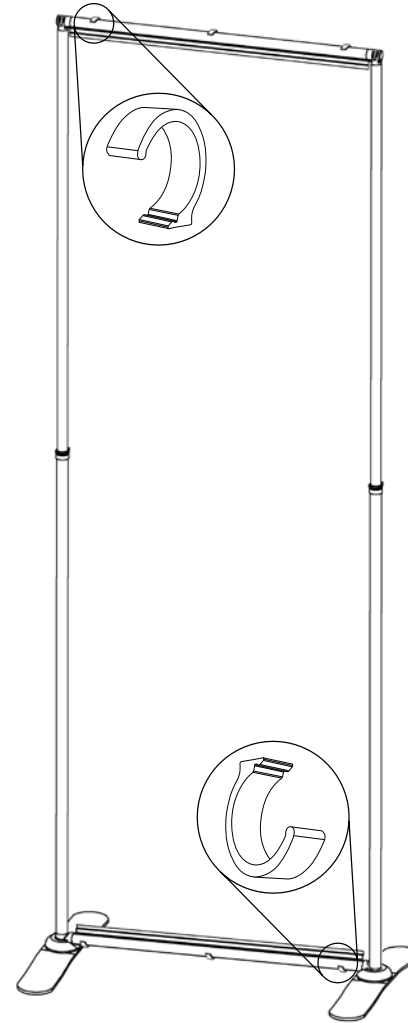
Snap each end of the grabber bar onto the uprights (see Figure C). Apply Gotcha and Gotcha rings in the same manner as described in steps 1 and 2.



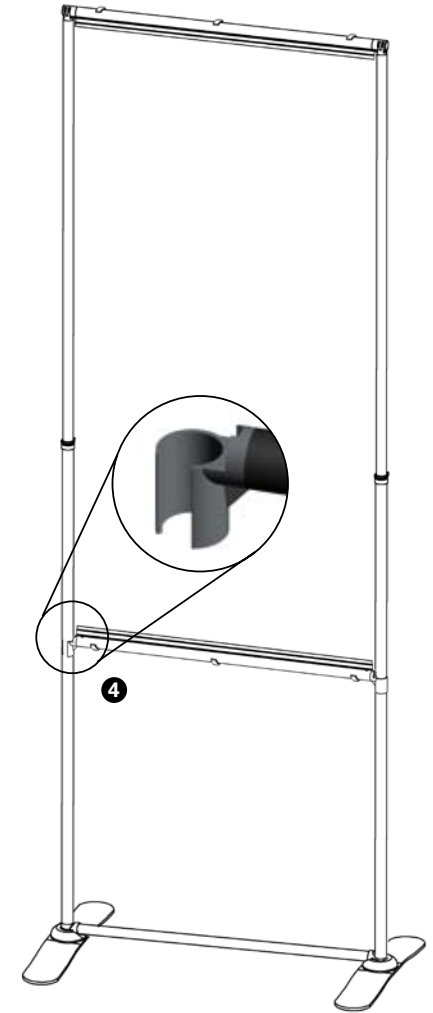
Side View of GOTCHA® Ring and Bar Placement
Figure A



Attaching Graphic to GOTCHA®
Figure B



Gotcha Ring Orientation



Gotcha Grabber Installed
Figure C