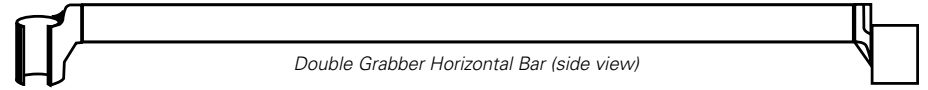
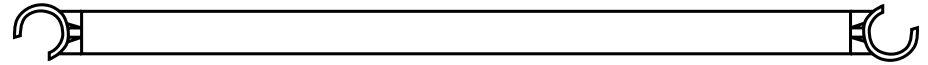


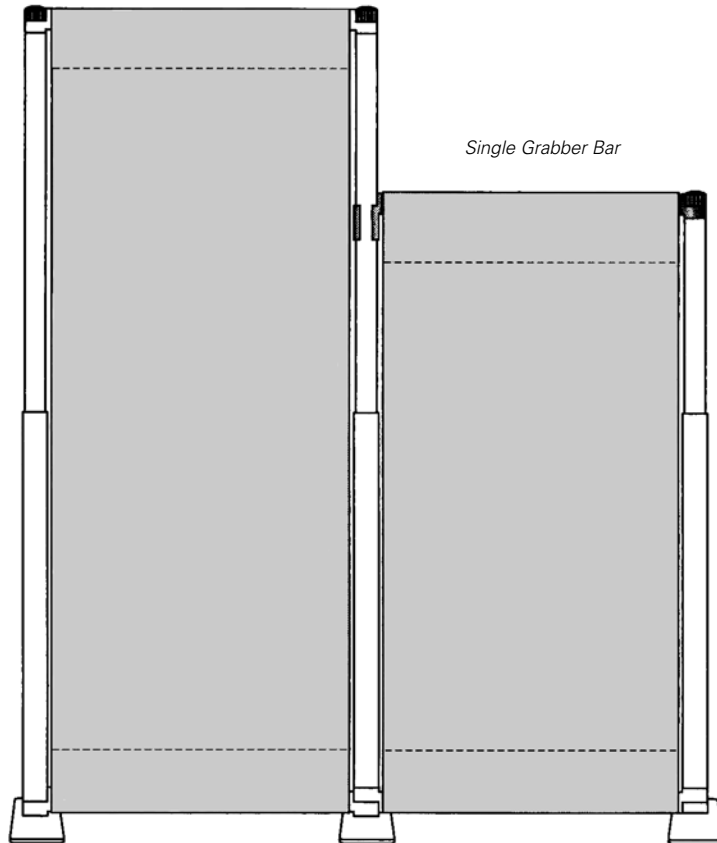
*Single Grabber Horizontal Bar (side view)*



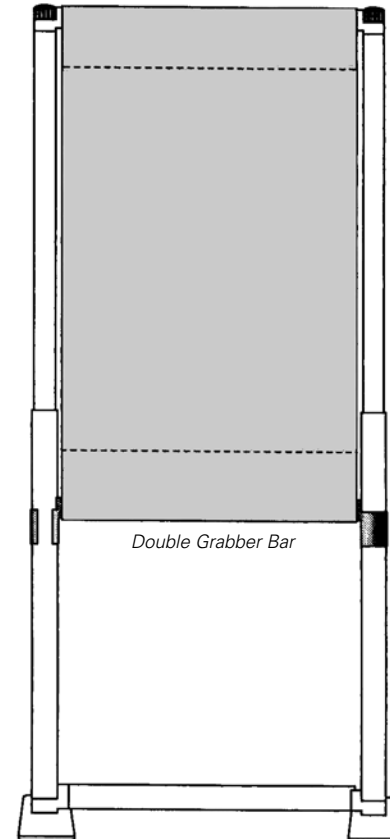
*Double Grabber Horizontal Bar (side view)*



*Double Grabber Horizontal Bar (top view)*



*Single Grabber Bar*



*Double Grabber Bar*

# using gotcha and grabber bar

Two DisplayONE® accessories are the intermediate grabber bar (usually used for smaller graphics or banners) and the GOTCHA graphic bar (usually used for non-hemmed graphics or rigid panels). GOTCHA® is a product of Rose Displays. Consort Display Group manufactures the gotcha ring to attach the GOTCHA to 1" horizontal bars.

## 1. Connecting GOTCHA® to GOTCHA RING

Insert Gotcha ring into upper ridge on Gotcha bar. It should fit tightly by snapping into place (see Figure A). Repeat for as many clips as necessary.

## 2. Connecting Assembly to Tube

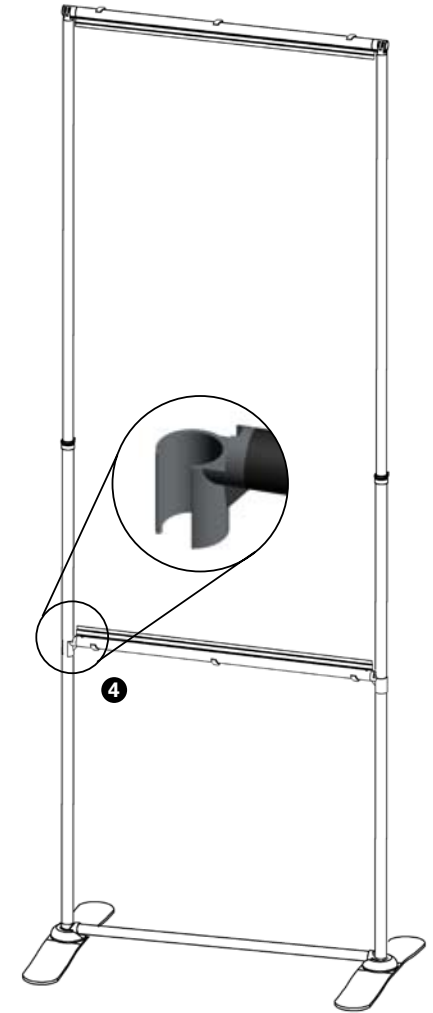
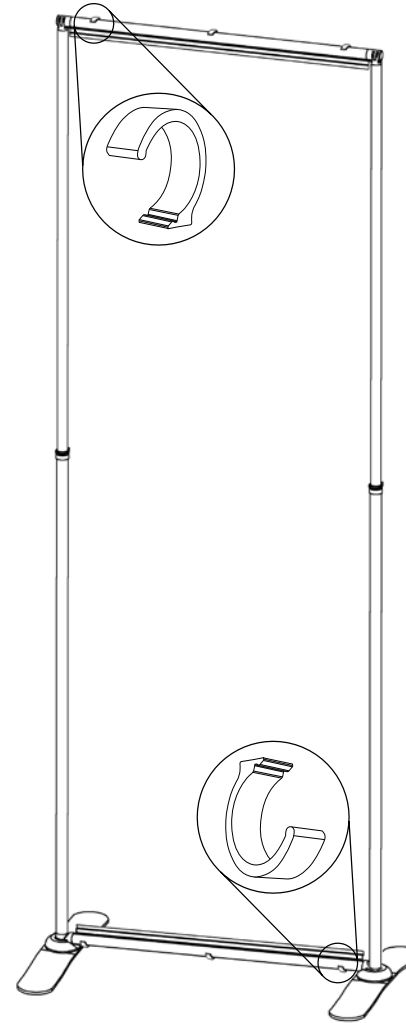
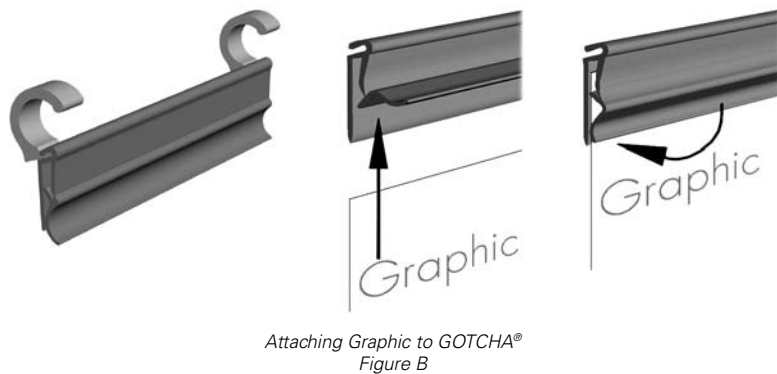
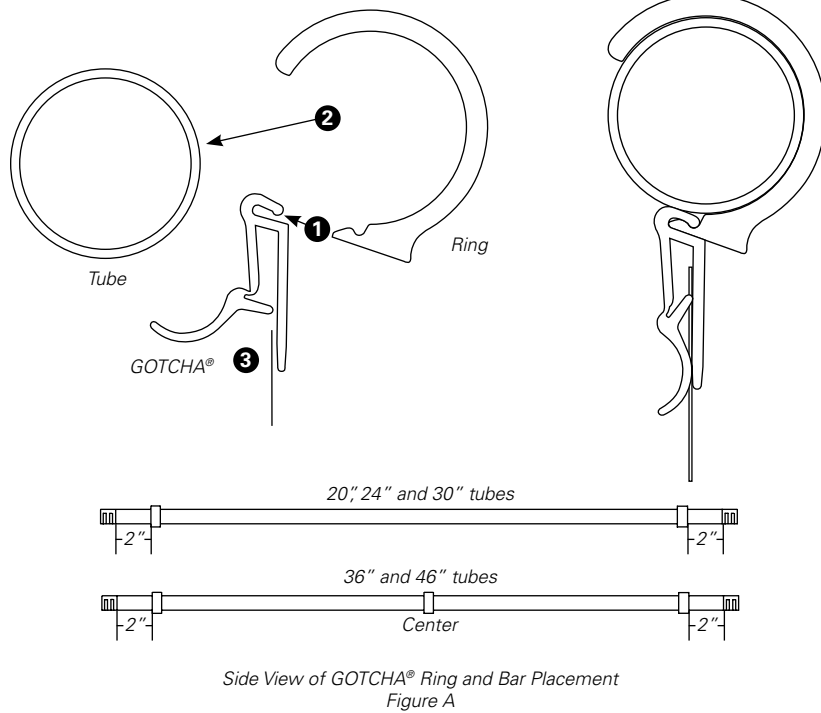
Align ends and snap the Gotcha w/rings onto the horizontal tubes.

## 3. Locking Graphic in Place

Lift the lower flap across the Gotcha until it flips open. Slip graphic into groove as far as possible, then lock flap back into place (see Figure B).

## 4. Using the Grabber Bar

Snap each end of the grabber bar onto the uprights (see Figure C). Apply Gotcha and Gotcha rings in the same manner as described in steps 1 and 2.



MX is pictured above; Gotcha and Grabber Bar will fasten the same on both DO and MX units.