

assembly instructions for single panel display units 72" or wider

1. Place outside two feet in approximate locations, with logo facing forward.
2. Insert horizontal bar through bottom banner hem. Skip this step if you are using the additional double-grabber bottom horizontal bar (see Figure 4).
3. Place bottom bar over helix studs on feet. Note that ring must make solid contact with foot (see Figure 3).
4. Attach upright tubes (A and B together) to helix studs; twist and tighten. Note that this tube holds any position by raising and releasing it to engage downstop. Disengage downstop by pressing upward on the downstop tab.
5. For ease of assembly, raise upper telescoping tubes a few inches.
6. Insert top horizontal bar through top banner hem and place on top of upright tubes. For best results place bar with rings "up" (see Figure 2). Insert top helix bolts and tighten.
7. Place middle foot halfway between the outside feet with logo facing front (see Figure 1).
8. Place one spacer over the helix stud of the middle foot.
9. Attach final upright tube to helix stud; twist and tighten.
10. Attach two upright tube clamps to middle upright, one near each horizontal bar. Use three clamps if attaching grabber bar (see Figure 4).
11. Connect clamps to horizontal bars at half-circle cut-outs in banner.
12. Raise banner to its final height.
13. If you are using the double-grabber bar, insert it through the bottom banner hem. If not, skip to next step. Clamp either end to the uprights. Use an upright clamp to attach the middle upright to the double-grabber bar at the half-circle cut-out in banner.
14. Check to see that top bolts are tight. If stand is twisted or racked, straighten the stand and tighten ALL connections.

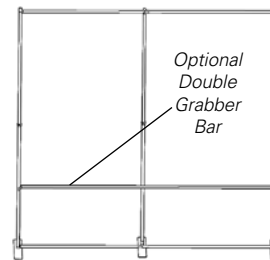
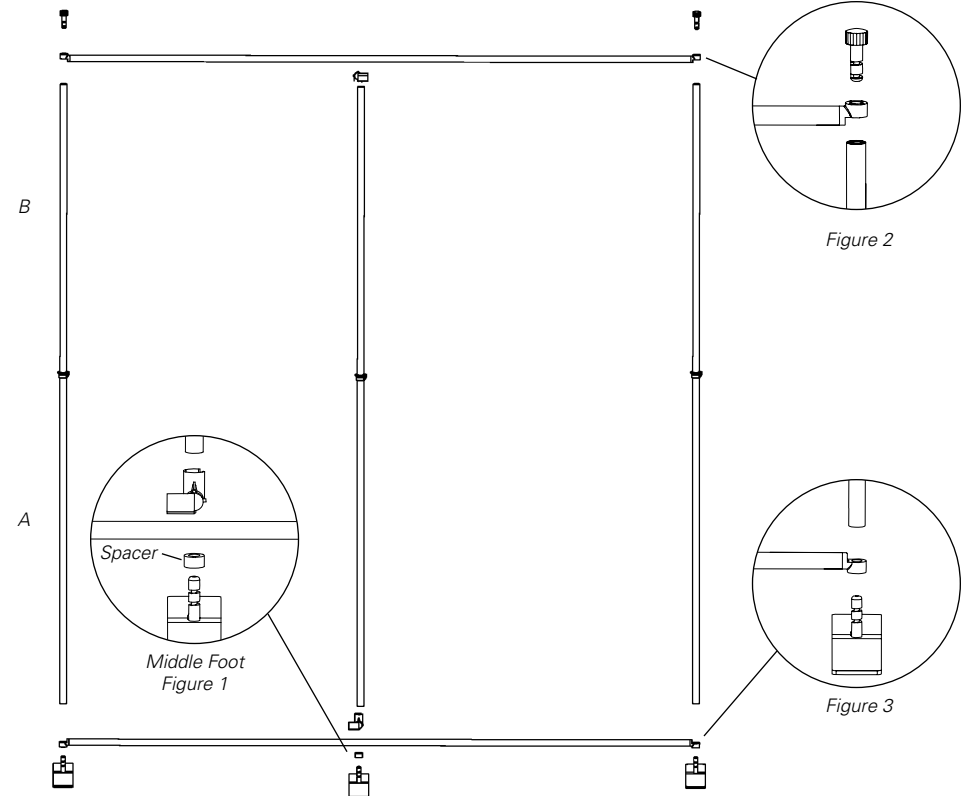


Figure 4 (Optional)

helpful hints

- Assemble all side tubes before attaching top bar.
- Do not telescope tube(s) until all parts are in place.
- Make sure all helix bolts and all connections are tight when finished.
- If stand is twisted, reposition and retighten.
- If one person is assembling, "inch" each side up consecutively.

using gotcha and grabber bar

Two DisplayONE® accessories are the intermediate grabber bar (usually used for smaller graphics or banners) and the GOTCHA graphic bar (usually used for non-hemmed graphics or rigid panels). GOTCHA® is a product of Rose Displays. Consort Display Group manufactures the gotcha ring to attach the GOTCHA to 1" horizontal bars.

1. Connecting GOTCHA® to GOTCHA RING

Insert Gotcha ring into upper ridge on Gotcha bar. It should fit tightly by snapping into place (see Figure A). Repeat for as many clips as necessary.

2. Connecting Assembly to Tube

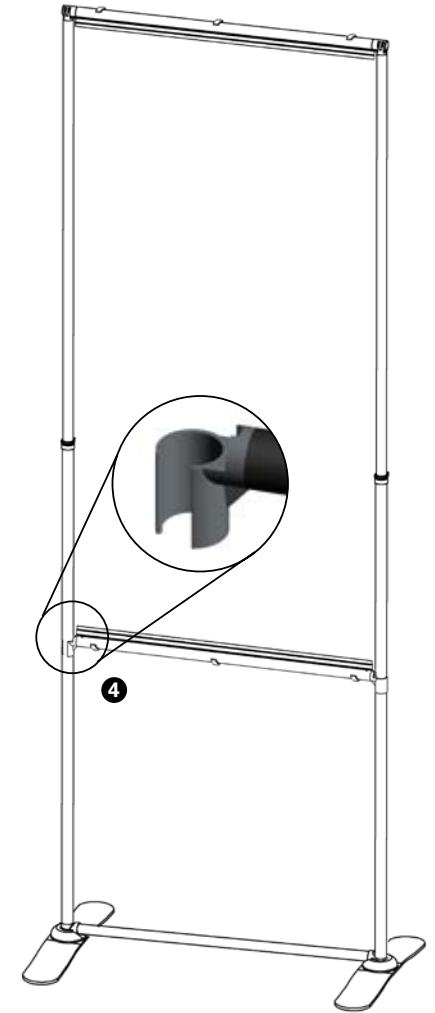
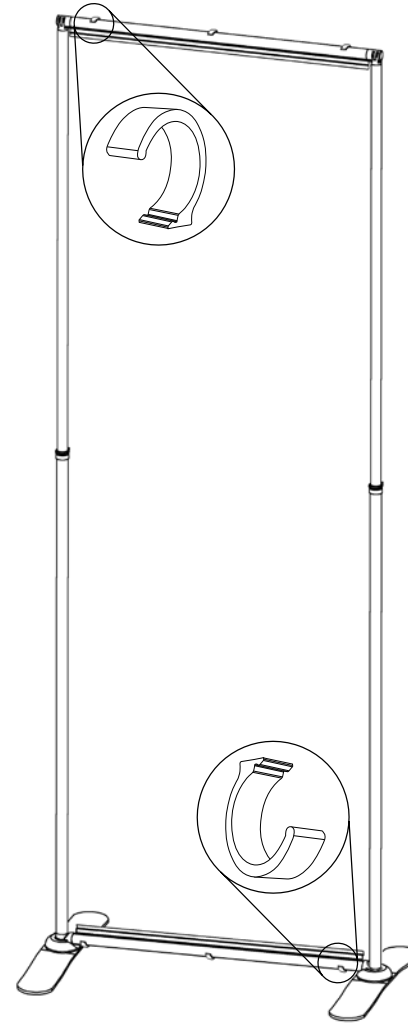
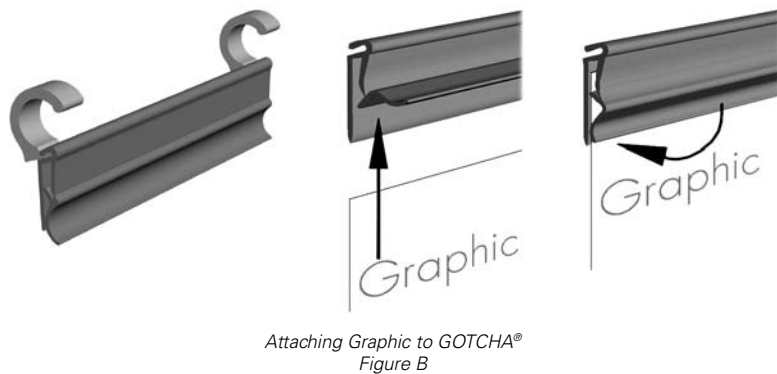
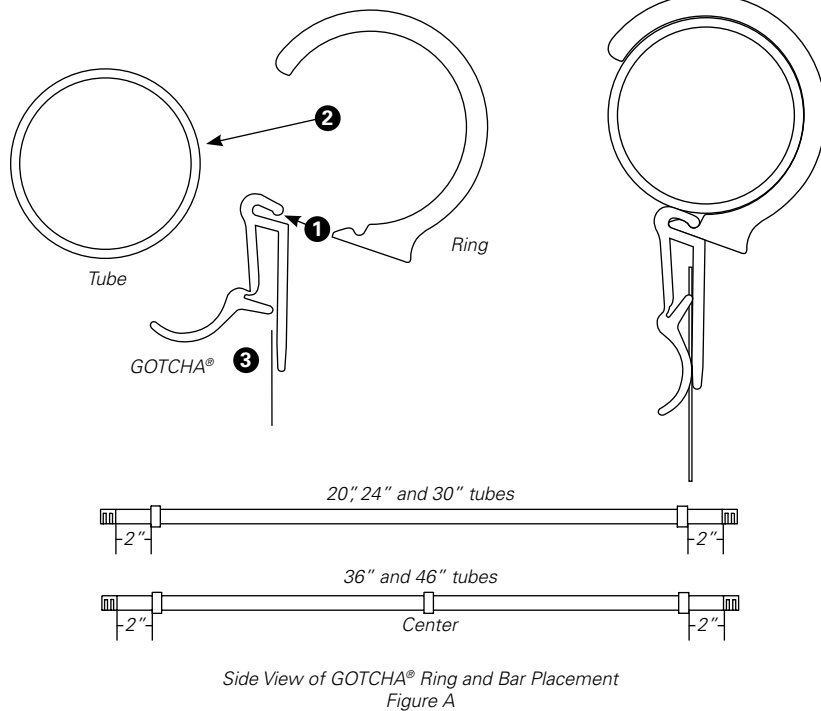
Align ends and snap the Gotcha w/rings onto the horizontal tubes.

3. Locking Graphic in Place

Lift the lower flap across the Gotcha until it flips open. Slip graphic into groove as far as possible, then lock flap back into place (see Figure B).

4. Using the Grabber Bar

Snap each end of the grabber bar onto the uprights (see Figure C). Apply Gotcha and Gotcha rings in the same manner as described in steps 1 and 2.



MX is pictured above; Gotcha and Grabber Bar will fasten the same on both DO and MX units.